



ARCHEAN TECHNOLOGIES

1899 avenue d'Italie - 82000 MONTAUBAN FRANCE
 Tel : + 33 (0) 5 63 93 50 00 - Fax : + 33 (0) 5 63 03 72 99

ECLIPSE3

All-in-one wall mountable EN54-16 PA/VA system

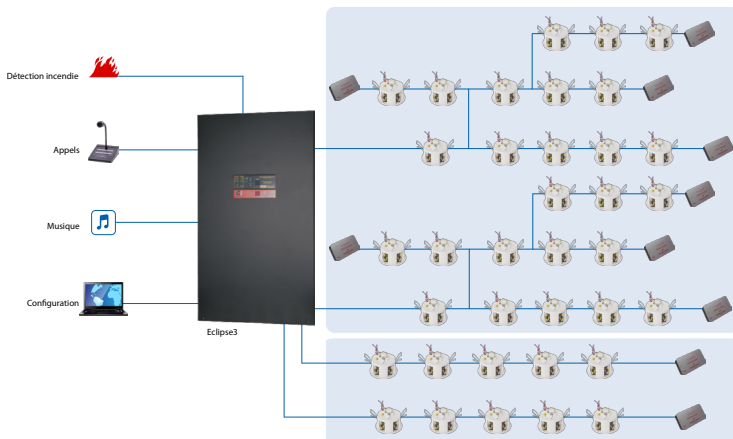
EN54-16

MADE IN 

5 years warranty

- Eclipse3 is a wall-mountable, public address and/or voice evacuation system. The unit houses one BVRD2M4 DSP-controlled router, power supply and your choice of amplifiers.
- Fully networkable, Eclipse3 provides the solution for many applications such as : Public Address : exhibition center, university campus, hotel, malls, car parks, offices, Industrial : factories, warehouse, offices

Specifications	
Bandwidth	-3 dB @ 30 Hz & 20 kHz
Inputs	4 balanced inputs
Connectors	2 x RS485
Outputs	4 digital balanced audio (at 0 dB) with 10 bands parametric equaliser & delay of 1 seconde maximum.
Dimensions	500 mm (l) x 900 mm (h) x 180 mm (P)
Alimentation	230V AC 700W/A
Options	BY40 : Battery pack 24 V 40 Ah BY24 : Battery pack 24 V 24 Ah KEYBVE : Extra key
NB : with Eclipse3 code amplifier, power supply, batteries & BEL1 must be ordered separately	



- ECLIPSE3 is composed of 1 matrix BVRD2M4 DSP, 1 power supply BVSMP + PSU & 2 amplifiers (following your requirements) & 1 battery pack.
- Compliant to the EN54-16 requirements. No settings are available on the front panel, the sources, amplifiers and loudspeakers are fully monitored. The detection default is declared within 100 seconds.
- Also compliant to EN54-4 requirements, our Eclipse 3 is equipped of two power supplies, one primary (230VAC) and one secondary PSU (batteries). All back up visual information are available on the safety power supply and the messages broadcast is available during 30 minutes after a cut of the primary supply.

ECLIPSE3

All-in-one wall mountable EN54-16 PA/VA system

- The activation is managed via 4 inputs: dry contact, UGA, RS485, USB or by the optional microphone.
- The 100V Broadcast is available with all kind of loudspeaker: horn speakers, ceiling speakers, wall speakers and sound projector speakers.
- Eclipse3 has several assets such as: Class D amplifiers, messages synchronisation, RS485 ports for mic and network. 126 Eclipse can be connected together offering several ways to equip any place (Digital networking facilities provided by BVRDNET2M4, factory fit option) and supplies up to 6 messages of 54 seconds.
- Thanks to its design and dimensions (90x50x30cm), the Eclipse3 can discreetly be fitted on the wall.

Solution :

- Rack (900 x 500 x 300 mm)
- 1 audio router (4 entrées symétriques & sorties audio numériques,
- Parametric equaliser 10 bandes, 2 RS485 connectors)
- 1 Power supply with charger (230V 700V/A – 50/60Hz)
- 2 amplifiers for 100V speakers.
- Up to 520W – 4 Zones
- 1 battery pack (24V)
- Activation via 4 inputs (dry contacts, UGA, RS 485, USB)
- fire microphone panel (optional not EN54-16)
- 100V line for speaker
- On demand:
 - All call microphone
 - Fire mic panel
 - Automatic level adjustment with BVRAMB ambient mic



Assests :

- Class D amplifier
- Messages synchronization
- RS485 port for mic and network
- up to 126 ECLIPSE 3 can be linked on a network
- 500x-900x300mm dimensions
- Amplifier, speakers, batteries, matrice, mic, external link monitoring...
- Up to 6 messages of 57 seconds
- 100V line speakers - (possibility to equipped wide area without loss of power)
- EN54-16 & EN54-4 compliant ; EN54-24 for speakers
- Low consumption
- Settings via software